
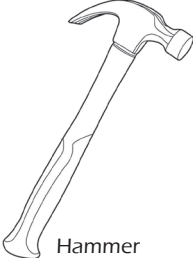
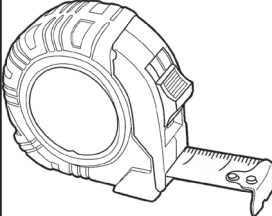

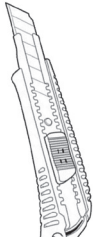
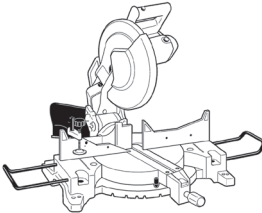
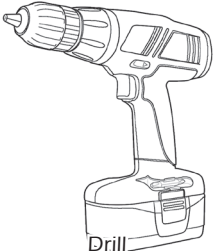
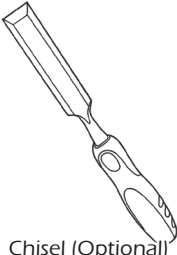
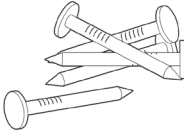
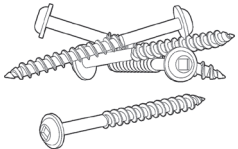


## GENERAL INFORMATION

**CAUTION: REMEMBER THAT COMPOSITE STONE UNDERGOES SLIGHT EXPANSION/CONTRACTION DUE TO VARIATIONS IN TEMPERATURE. THE FOLLOWING INSTRUCTIONS WILL ALLOW FOR THE EXPANSION/CONTRACTION OF THE MATERIAL.**

Tools and hardwares required for the installation:

 Level	 Hammer	 Tape measure	 Snips	 Utility knife
 Miter saw with finish blade	 Drill	 Chisel (Optional)	 Non-corrosive nails with a head diameter of 0.4" (1cm), a shank of 0.15" (0.38cm) and a length of at least 1 1/2" (3.81cm)	Or  Non-corrosive screws with a washer head or pan head and minimum length of 2 1/2" (6.35cm) if using with Stacked Stone Corners

1-Locate where you want to install the Stone Ledge and make sure you have a solid nailing surface in these locations. If installing on a furred wall, make sure to install furring on these nailing locations. To attach the Stone Ledge, always use non-corrosive nails or screws that penetrate a minimum of 1 1/4" (3.18cm) into a solid surface.

2-Always nail through the installation holes. These holes are surrounded by a membrane which allows a precise centering of the nail and the expansion/contraction of the material. Each complete ledge must be nailed through the center hole and at both ends (Figure 1).

3-Never hammer the nails in completely; leave a gap of 1/16" (0.16cm) between the nail flange and product. The stoppers located around the holes stop the hammer from driving the nails in too far, and provides the required gap (Figure 2).

Figure 1

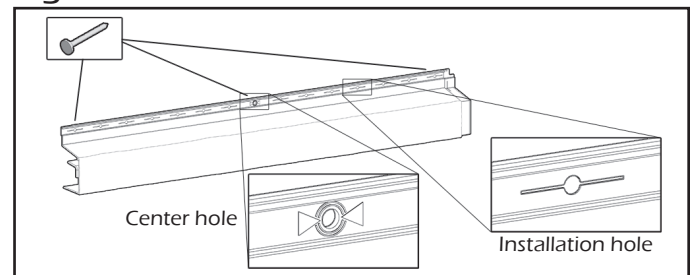
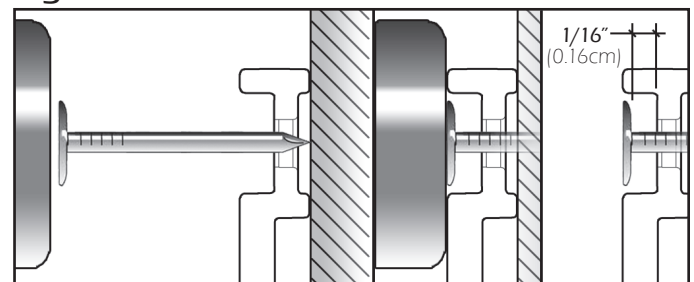


Figure 2



# STONE LEDGE™ INSTALLATION GUIDE



COMPOSITE STONE PANELS BY ROYAL®

## GENERAL INFORMATION (CONTINUATION)

4-Make sure that all pieces are properly inserted into one another and spaced correctly. Adjust ledges to the stopper and/or to the reference line (Figure 3).

**Note:**

-Keep the R-E-L number of your products (ex: REL-123456) located on the back for future references.

Figure 3

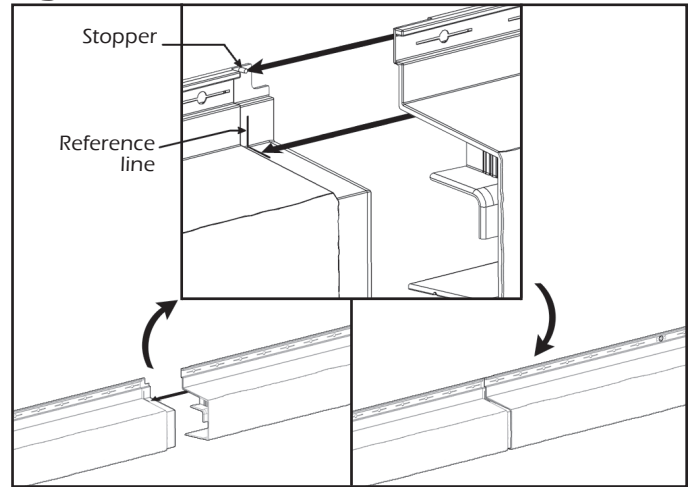
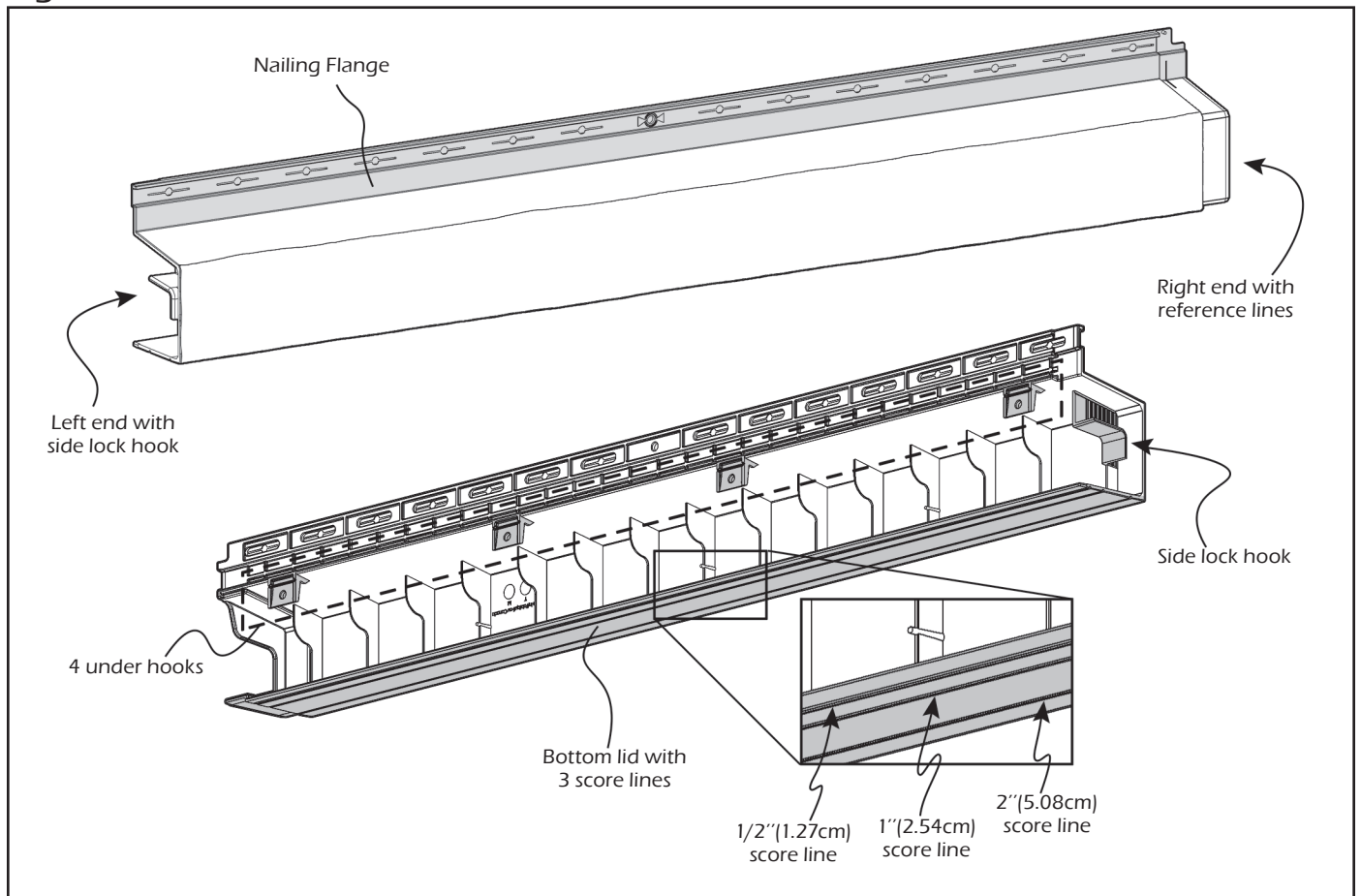


Figure 4



## INSTALLATION STEPS

**Note: It is recommended to begin the installation of the Stone Ledge by installing a ledge corner first. To attach the Stone Ledge Corner as an outside corner, refer to FINISH AT A WALL CORNER section of this guide.**

1-To begin, install the siding on the lower section of the wall up to the desired height:

### Option 1

For an installation with full Stone panels where the nailing flange is still attached, the bottom of the ledge sits flush with the lower inclined edge of the nailing flange, concealing all fasteners. The bottom of the ledge needs to be cut at its 1/2" (1.27cm) score line. (Figure A)

### Option 2

For panels where the top has been cut off, the bottom of the ledge can be cut at its 1" (2.54cm) score line to provide enough clearance for the thickness of the stones. (Figure A)

### Option 3

For any thicker siding material or offset panels, the bottom of the ledge can be cut at its 2" (5.08cm) score line. (Figure A)

2-Before making any cut, it is suggested you plan your layout first. If installing siding above the ledge, refer to UPPER WALL INSTALLATION of this guide before nailing any ledge. Measure the length of the wall and spread the cut of the first and last ledge to have equal length of ledges on the wall. The cut should always be on the left side of the ledge. If needed, cap the end pieces before installing on the wall (see section: FINISH AT WALL END for details). Install the first ledge, previously cut according to the finish option chosen, over the siding. Nail the ledge making sure it is leveled (Figure B).

3-Install each successive ledge into the previous one from left to right. Leave the required space between each then nail it in place while making sure to keep them straight and leveled (Figure C). Repeat until the end of the wall. Finish the wall according to the finish option chosen (see sections: FINISH AT WALL END and FINISH AT A WALL CORNER)

4-If fitting a cut end (left side) with a factory edge (right end), the back of the nailing flange must be cut back to sit flush. Using a utility knife, an angle grinder or chisels, shave the ribs behind the nailing flange on a length of approximately 1" (2.54cm). Make sure to remove also any feature on the inside of the ledge that may obstruct the insertion of the adjacent piece (Figure D).

Figure A

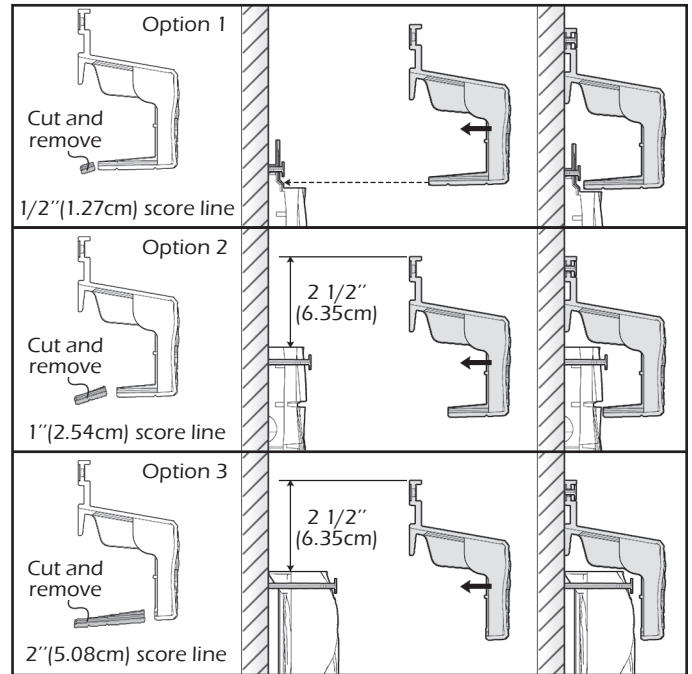


Figure B

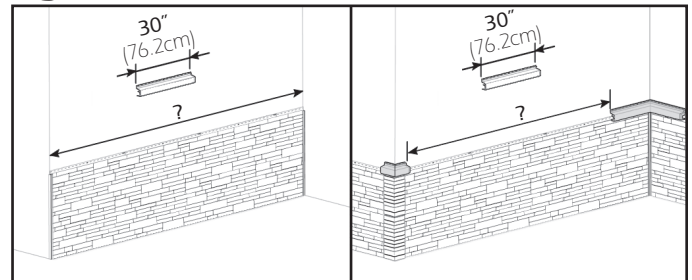


Figure C

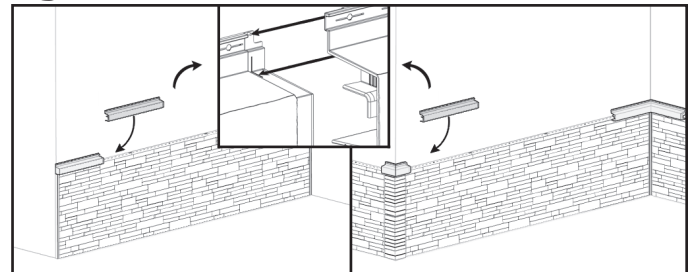
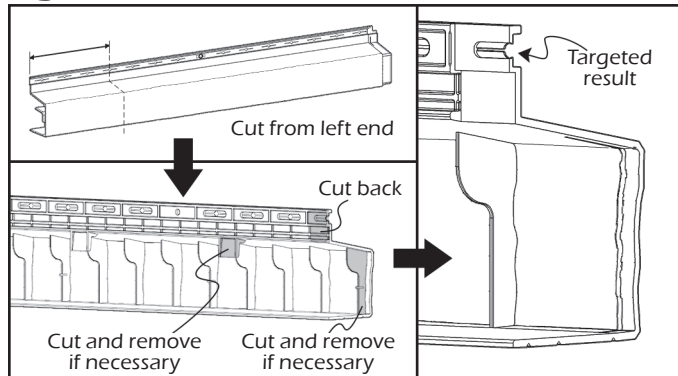


Figure D



## UPPER WALL INSTALLATION

To install siding above the ledge, follow the instruction below:

### Option 1 (Figure E - #1)

For the following panel:

- Atlas Stone - Stacked Stone

Place the universal starter strip against the wall directly on top of the nailing flange of the ledge. No shim is needed.

### Option 2 (Figure E - #2 & #4)

For the following panel:

- Portsmouth - 8' Single 7" Cedar Shingle
- Portsmouth - Double 7" Cedar Shingle

Use the break away under hooks as shim. The starter strips can sit on top of the nailing flange, and shim can be put between the wall and the starter strip to provide clearance.

### Option 3 (Figure E - #3 & #4)

For the following panel:

- Portsmouth - Single 9" Hand-Split Shake

Use the break away under hooks as shim. The top of the starter strips should be 2" (5.08cm) above the top of the nailing flange, and shim can be put between the wall and the starter strip to provide clearance. A color matched flashing trim should be installed to cover the nailing flange prior to install the starter strips:

Then, install the siding as specified in its own installation guide.

### Note:

- Pay attention to not constrain the expansion and contraction movement of the ledges.
- If using a siding that is not mentioned in this guide, please refer to the manufacturer's installation manual.

Figure E

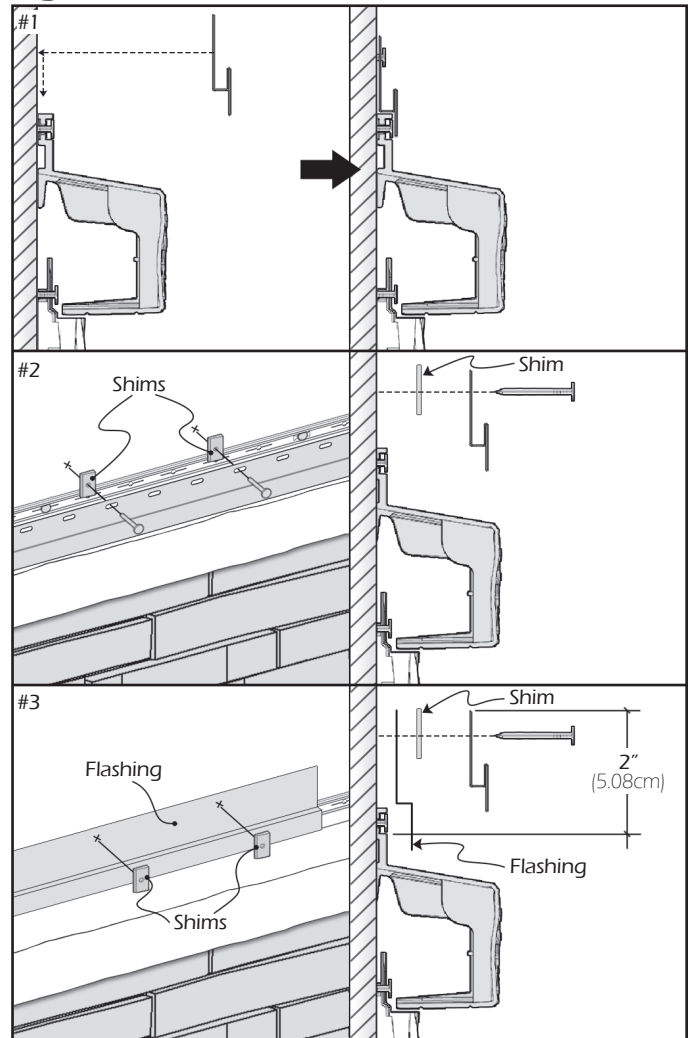
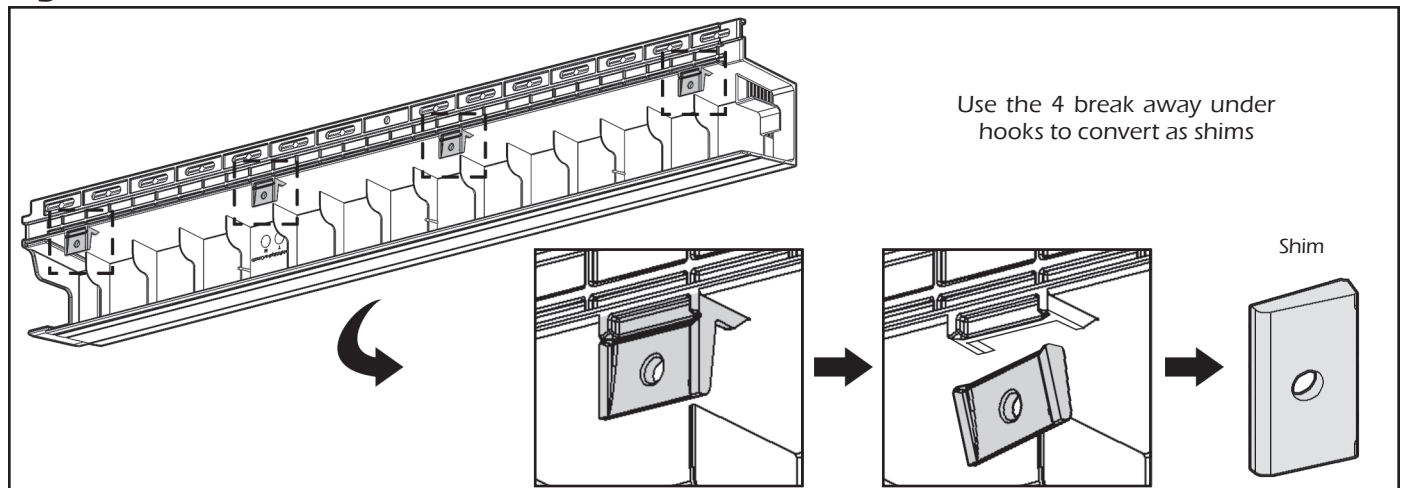


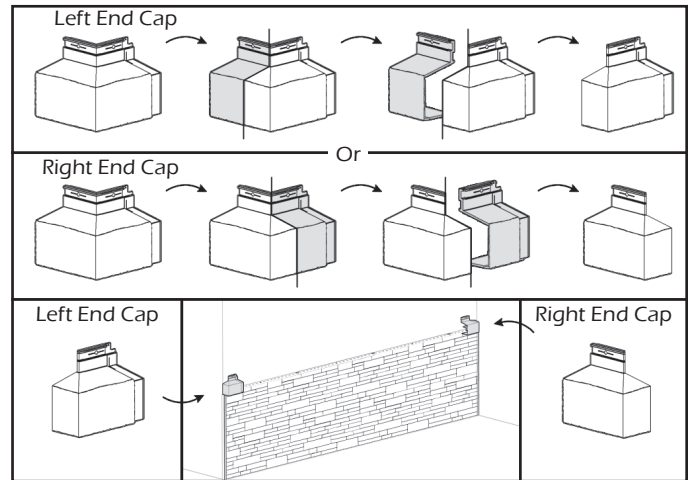
Figure E\_#4



## FINISH AT WALL END

1-To create a finished end (ledge cap):  
Cut the rear portion of a ledge corner flush with the adjacent side to form a ledge cap. Two configurations are possible depending on which side of the wall is ending (Figure F). Nail the ledge cap to the wall making sure it is level and aligned with the ledge trim.

Figure F



## FINISH AT A WALL CORNER

1-Finish an outside corner:  
Install a first ledge corner on an outside corner of two adjacent walls by following one of the two options below. (Figure G)

Option 1: Ledge above a full panel with the panel nailing flange still attached

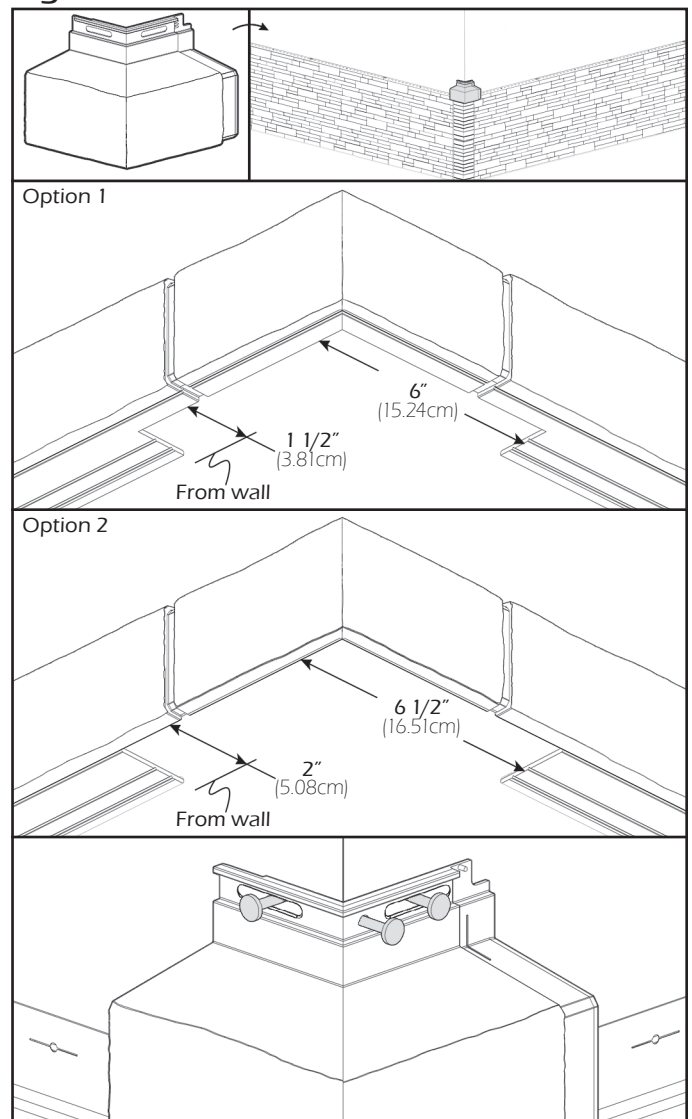
Using snips, cut the bottom of the ledge corner and trim to provide at least 1 1/2" (3.81cm) of clearance between the ledge and the wall. You may cut in between score lines for an optimal fit with the stone corner or at the 2" (5.08cm) score line to leave a gap. The cut portion should be 6" (15.24cm) wide on each wall to prevent interference between the ledge and the stone corner

Option 2: Ledge above a cut panel where the panel nailing flange was removed

Using snips, cut the underside of the ledge corner and trim at the 2" (5.08cm) score line. The cut portion should be 6 1/2" (16.51cm) wide on each wall to prevent interference between the ledge and the stone corner. The top of the nailing flange should be 3" (7.62cm) above the top of the panel.

Then, nail into the installation holes located on each side of the ledge corner. Make sure the it is leveled on both sides and secure it with a nail the closest of the wall corner (Figure G). It is recommended to install all the ledge corners on the walls before proceeding with the installation of the ledge trim.

Figure G



# STONE LEDGE™ INSTALLATION GUIDE



COMPOSITE STONE PANELS BY ROYAL™

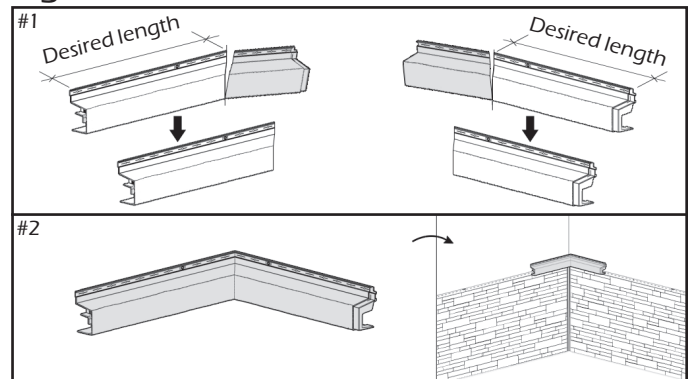
## FINISH AT A WALL CORNER (CONTINUATION)

2-Finish an inside corner:

Cut the end of the two ledges that are forming the inside corner of the wall to the desired length with a 45° angle, assuming walls are perpendicular. Fasten the two pieces of ledge to the wall as specified in GENERAL INFORMATION ensuring the mitered cuts meet together. Apply sealant over the joint if needed (Figure H).

Note: Pay attention not to constrain the expansion and contraction movement of the ledge. Then follow the standard installation steps.

Figure H



## FINISH UNDER A WINDOW SILL

1-To install under a window sill, carefully cut the nailing flange of the ledges required to cover the full length of the window. **Do not throw away the cut portion of the nailing flange nor ledge**, it will be reused at the next step. Install the cut nailing flange upside down at a distance of 1 5/16" (3.33cm) below the window (Figure I). Nail it as mentioned in point 2 of the GENERAL INFORMATION section of the guide

2-Collect previously cut ledges and, if necessary, cut the bottom of ledges to allow a proper insertion of siding on lower section of the wall (Figure A). Slide the under hooks of the ledges onto the nailing flanges previously installed on the wall (Figure J). Make sure to leave the required gap between each of them (Figure C).

3-When installing the siding panels underneath the ledge, the top of the panel should be high enough to support and stabilize the ledge. To do this, it may be necessary to partially remove some of the ribs inside ledges (Figure K).

Note: to attach siding panels under window sill, it may be easier to use long screws. Pay attention not to constrain the expansion and contraction movement of the siding panels. Refer to the siding panels installation steps.

4-To finish the ends, refer to the FINISH AT WALL END section of this guide.

Figure I

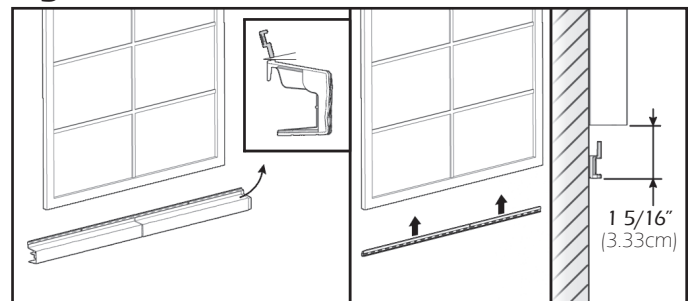


Figure J

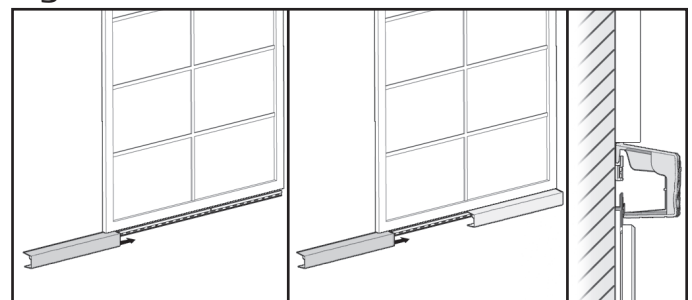


Figure K

