

Installation Manual

CRANEBOARD[®]
SOLID CORE SIDING[®]

exterior[®]
PORTFOLIO

THINK OUTSIDE.[®]

Information contained in this manual can be viewed in video form at: www.youtube.com/EPbC

CONTENTS

Important Notes	2-4
• Weather Protective Barriers	2
• Storage and Transportation.....	2
• Tools and Equipment.....	2
• Fastener Choices.....	3
• Wall Preparation	3,4
• Flashing	4
Installing Accessories.....	4-6
• Striking a Chalk Line	4
• Starter Strip.....	4
• Outside and Inside Corners.....	5
• Trimming Around Windows and Doors.....	5
• J Channel over Roof Lines.....	6
Installing Horizontal Panels.....	6-8
• First Panel.....	6
• Seaming Panels.....	6
• Continued Course Installation	7
• Installing Around Windows, etc	7
• Top Course Installation	7,8
• Gable Installation	8
• Installation over Deep Profile Siding.....	8
Transitions	9
Board and Batten Vertical Installation.....	10,11
Architectural Essentials Installation	12-19
• 3-Piece Decorative Corner System.....	12
• Window Lineal.....	13
• Window Lineal with Sill Lineal	14-16
• Window Crown.....	17
• Integral Lineal	18
• Frieze Board Ideas.....	19
Replacing Damaged Panels, Corner Posts and lineals	20,21



MADE IN AMERICA

IMPORTANT NOTES

Water-Resistive Barriers

When considering the use of house wrap behind siding products, Exterior Portfolio recommends first and foremost, that installers review local building code requirements. Keep in mind that additional measures may provide better protection against water intrusion than the minimum requirements of the building code.

Though Exterior Portfolio does not require the use of house wrap behind Solid CoRe, it is important to note that, Solid CoRe is designed as an exterior cladding, not a water-resistive barrier. It is designed to allow the material underneath it to breathe; therefore, it is not a watertight covering. As best practice, a water-resistive barrier integrated with code-compliant flashing, must be applied prior to the Solid CoRe siding installation.

Storage and transportation

When transporting Solid CoRe to a job site, make certain to keep the cartons flat and supported along their entire length. At the job site, take the following precautions when storing the product:

- Store the cartons on a flat surface and support the entire length of the cartons.
- Keep the cartons dry.
- Do not store the cartons in stacks more than 8 cartons high (Coastal Shores colors 4 high).
- Do not store the cartons in any location where temperatures may exceed 130° F (e.g., on blacktop pavement during unusually hot weather or under dark tarps or plastic wraps without air circulation).

Tools and Equipment

- Hammer
- Tape Measure
- Chalkline
- Circular Saw (paneling blade reversed)
- Snips
- Square
- Utility Knife
- Pencil
- Level
- Nail Slot Punch
- Snap Lock Punch
- Safety Glasses

Tools, such as saber saws, rotary tools, etc. may also be useful when cutting panels to fit around obstacles.

Fastener Choices

When choosing a fastener for Solid CoRe Siding products, Exterior Portfolio recommends that first, you check with local building code officials for possible requirements. In lieu of special code requirements, Exterior Portfolio recommends the following;

Nails:

- Nails should be a minimum of 2 ½" in length and able to penetrate not less than 1 ¼" into framing or furring.
- Nail is to be made of galvanized steel or other corrosion resistant material and should have a head of at least 5/16" in diameter and a shank of 1/8".

Screws:

- Screws must not inhibit the expansion and contraction of the panel(s). Screws should be able to penetrate not less than 1 ¼" into framing or furring and should be:
 - Size #8, truss head or pan head.
 - Corrosion-resistant, self-tapping sheet metal type.

Staples:

- Staples must not inhibit the expansion and contraction of the panel(s) and must be:
 - not less than 16 gauge semi-flattened to an elliptical cross-section.
 - a minimum of 7/16" crown, 1 ¾" in length and able to penetrate not less than 1 ¼" into framing or furring.

Wall Preparation

New Construction

- CraneBoard must be installed over rigid sheathing. Consult local building codes for specific sheathing requirements. Solid CoRe should never be applied directly to studs without sheathing.

Residing

- Solid CoRe is designed to be installed directly over existing siding without the need for additional wall leveling underlayments providing the existing siding is not extremely uneven such as split cedar shake siding. In these situations, it is advisable to first remove the existing siding before installing Solid CoRe. Note that Solid CoRe must not be applied directly to studs without rigid sheathing. If, after removing the existing siding, there is no sheathing, sheathing must be applied. Consult local building codes for specific sheathing requirements.
- It is important to nail down loose boards of existing siding, and replace any rotten ones.
- Scrape off loose caulk and re-caulk around doors, windows and other areas to resist moisture penetration.

Masonry Walls

- Apply minimum 1"x3" furring strips at 12" to 16" covered by minimum 7/16" solid nailable sheathing **or** minimum 2"x3" furring strips vertically at 12" to 16".
- Furring/sheathing, etc. should be installed along all trim areas such as windows, doors under overhangs, corners, etc., well as along the bottom of the walls.
- To achieve the most solid feel possible, fill the areas between the furring strips with foam board.

Flashing

A weather resistant material should be applied around windows, doors, inside and outside corners and the intersection of walls and roofing before the installation of Solid CoRe.

INSTALLING ACCESSORIES

Striking a Chalk Line

To ensure proper Solid CoRe installation, it is important to create a straight reference line for the positioning of the starter strip.

- Determine the lowest corner of the walls to be sided. Measure up to establish the point that will represent the top of the starter strip.
- Using a level, strike a chalk line from this point, around all walls to be sided. (In some situations, it may be possible to measure down from overhangs equally, to establish this line.)

Starter Strip

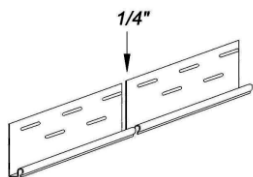


Figure 1.

- Using the chalk line as a guide, align the top of the starter strip on the line and fasten every 8"-12". Allow space for corner post, J channels, etc.
- Fasten in the center of the nail slots using the lower slots when ever possible. Do not nail tight.
- Leave 1/4" space in between pieces of starter strip (Fig.1).

When beginning Solid CoRe above eye level, such as gables, etc. Steel Underlayment Starter Strip (SISS) can be used (Fig. 2).

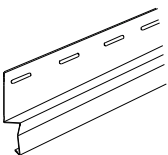


Figure 2.

In situations where it is necessary to start Solid CoRe in J channel, Drill 1/4" diameter weep holes no more than 24" apart.

Outside and Inside Corners

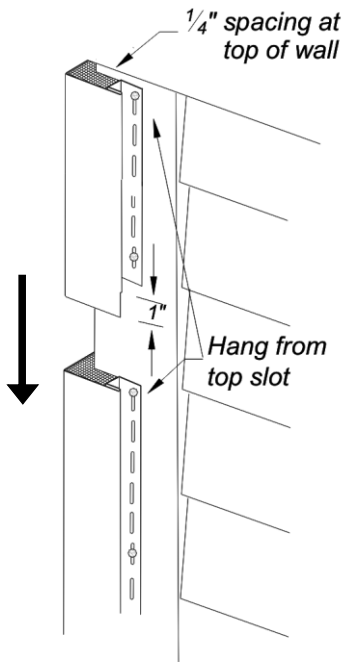


Figure 3.

Trimming Around Windows and Doors

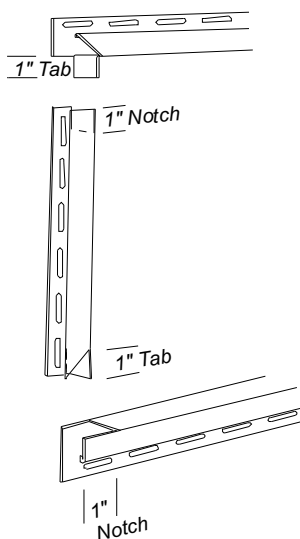


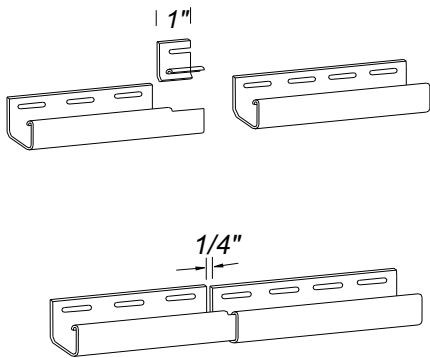
Figure 4.

- Make sure posts are plumb. Strike a chalk line if necessary.
- Place the corner post so that there is a $\frac{1}{4}$ " gap between the post and any overhang or eave. The corner post should continue $\frac{3}{4}$ " past the bottom of the starter strip. Position fasteners at the top of the upper slots on both sides of the post. Hang the post with these two fasteners. Continue to secure the post by placing fasteners in the center of slots at 8" to 12" intervals. Leave $\frac{1}{32}$ " gap between the fastener and the post (Fig. 3). Trim off the nail hem area that will be exposed below the siding.
- Allow $\frac{3}{8}$ " gap at the bottom if the post is to be placed over concrete, decking, etc.
- If more than one length of corner post is required, remove 1" from the nail hem and receiving channel of the upper post and overlap the post by $\frac{3}{4}$ " to allow for expansion (Fig. 3).

Note: Alternative methods of using J channels in place of inside corner posts is acceptable providing the corner is flashed properly to inhibit moisture intrusion.

- For Window Lineal installation see Architectural Essentials installation
- If 1-1/8" J channel is being used in place of window/door lineals, cut and install J channels as shown (Fig. 4).
- Install J channels fastening every 8" to 12". Hang the side channels by locating a fastener at the top upper nail slot and center slot fastening the remainder of the channel.

J Channel over Roof Lines



- Install channel over flashing keeping the channel approximately 1" from the roof line.
- Overlap the ends of the channel if more than one length is required (Fig. 5).
- Extend the channel beyond the edge of the roof to ensure proper water runoff.

Figure 5.

INSTALLING HORIZONTAL PANELS

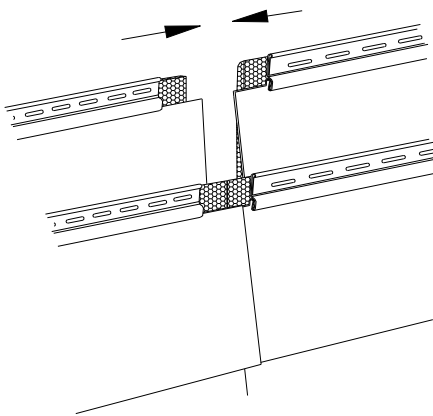
Cutting Solid CoRe is most easily done with a circular saw using a paneling blade reversed. Saber saws, rotary saws, snips, etc. can also be used.

First Panel

Install the first panel by engaging the bottom of the panel into the starter strip. Adjust the panel to leave approximately a 1/4" gap in the corner in temperatures over 40°F or a 3/8" gap in temperatures below 40° F (always leave 3/8" for Coastal Shores colors). Fasten the panel in the center of the nail slots, leaving 1/32" between the fastener and the panel to allow the panel to expand and contract. Space fasteners at 16" maximum.

NOTE: Always overlap seams away from entrances and away from the greatest traffic.

Seaming Panels



The foam is recessed and incorporates a pocket on Solid CoRe for the purpose of proper seaming. To seam two panels together, slip the face of one panel between the foam and the face of the adjoining panel. Slide panels together until foam to foam contact is achieved when installing above 40°, 1/4" apart under 40° (at all temperatures for Coastal Shores colors). **Don't** allow more than 1/4" space between ends of foam (Fig. 6).

Seaming is most easily achieved by using factory cut ends whenever possible. If a field lap is necessary, cut back the foam approximately 3/4" on the field cut, fabricate the panel end notches, and always use a factory notch as the overlapping panel, placing the field cut end into the factory end.

Figure 6.

Seaming Tip:

When seaming panels between windows or in tight spaces, install both panels, allowing the panel ends to just overlap. Do not nail either panel close to the seam. Pull the ends of both panels away from the wall far enough to engage the seam. Push panels back to the wall and fasten.

Continue Course Installation

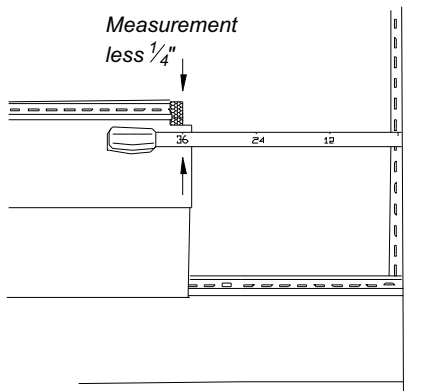


Figure 7.

Continue installing panels fastening no more than 16" apart. When determining the length of the final panel of a course, measure from end of foam to corner, J channel, etc., less $\frac{1}{4}$ " or $\frac{3}{8}$ " depending upon the temperature ($\frac{3}{8}$ " for Coastal Shores colors). Transfer this measurement to the panel being careful to measure the foam, not the face of the panel. This will result in the correct panel length incorporating the gap for expansion (Fig. 7).

Install remaining courses staggering laps so that no two laps are vertically aligned, unless separated by at least three courses.

Installing around windows, etc.

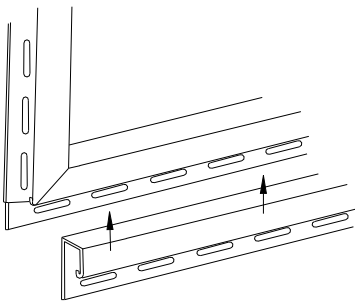


Figure 8.

- Measure and mark the panel to be cut for under the window. Add approximately $\frac{1}{4}$ " to both sides and bottom of the cut to allow for panel expansion.
- When installing CraneBoard panels under windows, use a snap lock punch to secure the panel into the J channel. Depending upon where the window cut falls on the panel, you may need to install universal J or shim out a piece of finish trim and install into the 1- $\frac{1}{8}$ " under the window. Snap lock the cut edge into this trim (Fig. 8).
- Never place a seam directly below or above a window or door opening.

Top Course Installation

When installing the final course of Solid CoRe, there are a few options:

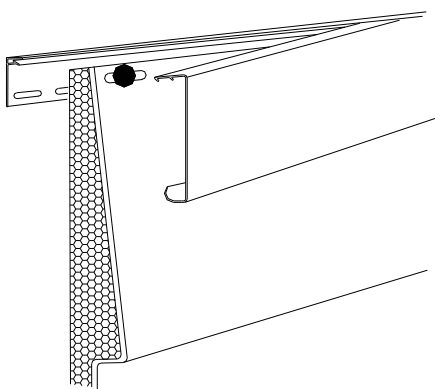


Figure 9.

- Option 1
- **Back Plate and Finish Board/Crown Molding.** This is the recommended installation for finishing a side wall. This will provide a secure and attractive installation. First, install back plate at the top of the wall nailing loosely approximately every 8" to 10". Measure the top course of siding leaving at least $\frac{1}{4}$ " to the back plate. Using a nail slot punch, punch slots every 16". Make sure the slots are approximately 1- $\frac{3}{8}$ " in length (You may need to double slot punch them). Install the panel. Snap the finish board (or Crown Molding) into the back plate Fig. 9). To seam the finish board, cut 1- $\frac{1}{4}$ " off the snap leg of the overlapping piece. Overlap 1".

Top Course Installation continued

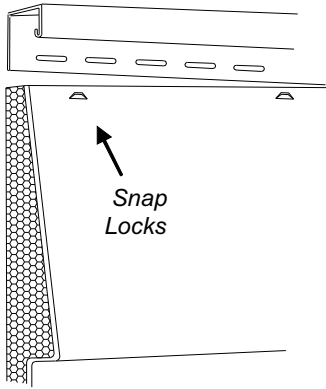


Figure 10.

Option 2

- **Use a crimping or Snap Lock Tool.** If this method is used, make certain that the panel “snaps” into the receiving J. Depending upon where the rip cut falls the receiver may need to be 1-? ”J or ? ” J. In some cases, a small strip, approx. 1-½” wide X 1/8” to ¼” thick, placed in the J prior to the installation of the panel, is needed to assure positive engagement of the crimps (Make certain the panel fits snugly I the receiving channel). Measure from the soffit to the bottom of the top lock on the previous course of siding. Subtract ¼”. Mark and cut the top course panel. Crimp the I approximately every 6” and install the panel (Fig.10).

Gable Installation

It is important to be sure the extended angles in gables are secure. The following are two options:

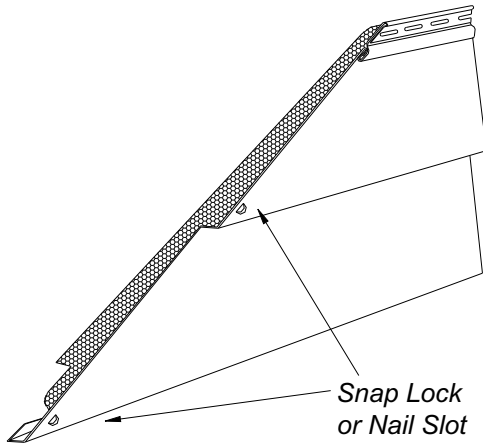


Figure 11.

Option 1

- **Back Plate and Finish Board-** When installing with Back Plate and Finish Board or Crown Molding, Use a nail slot punch to create nail slots at the end of the angle along the cut edge. Install the panel in the gable and fasten both at the nail hem as well as in the slot created by the slot punch (Fig. 11).

Option 2

- **Install 1-1/8” J channel** under overhang or eave. When installing with J channel, use a snap lock punch to create a locking tab at the bottom of the panel at the cut edge of the angle. Install the panel locking the tab into the J channel (Fig. 11).

Installation Over Deep Profile Siding

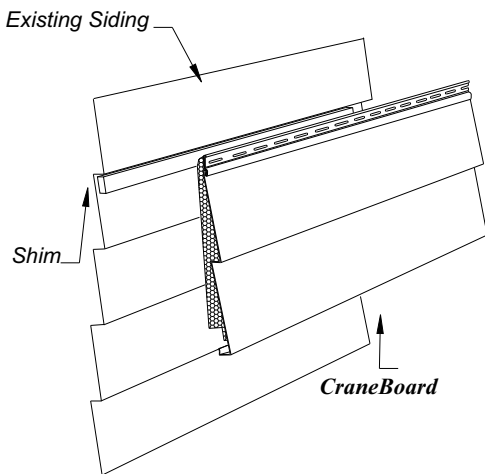
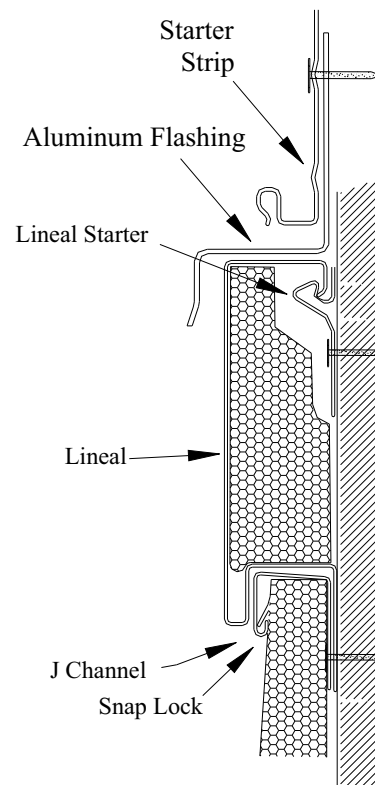
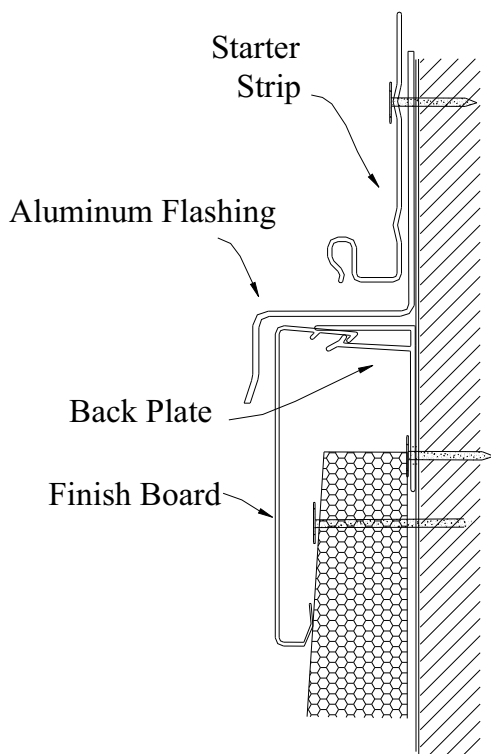
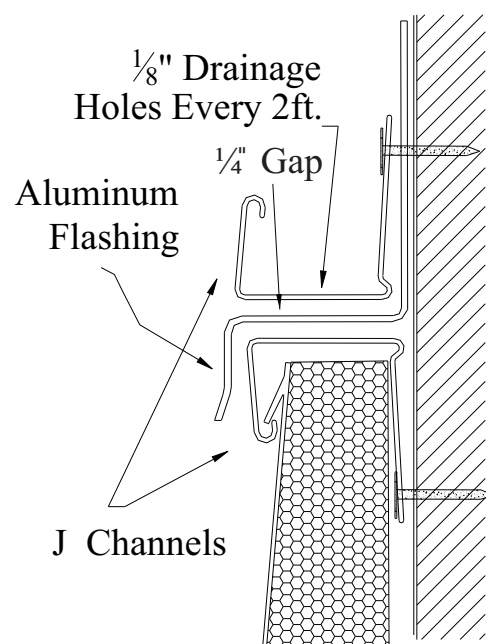
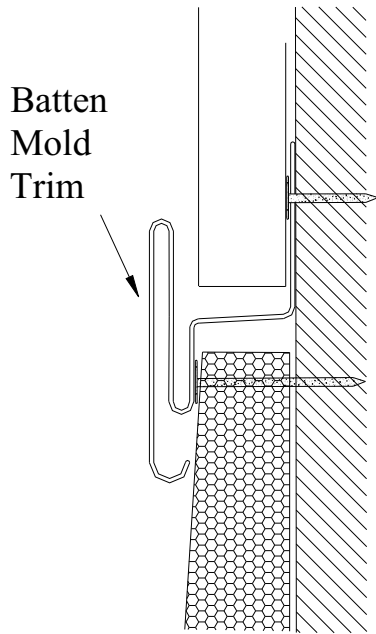


Figure 12.

- The wider coverage feature of Solid CoRe siding is designed to allow installation over existing siding without first “leveling” the wall with foam underlayments or furring strips. To achieve the straightest installation possible, both horizontally as well as vertically, it may be desirable to “float” the Solid CoRe panel by adjusting the depth of nailing. It can be helpful when installing over deep profile siding to place a shim under the return of the existing siding as shown in the diagram. This will also result in a firmer, more solid feel to the new siding (Fig. 12).

TRANSITIONS

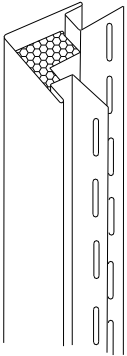
The following are examples can be used when transitioning from one siding to another. Variations on these examples are possible (starting upper siding in J channel vs. starter strip, etc.), however, it is important that a moisture management system such as flashing, be incorporated into the installation. Products like Batten Mold Trim are designed to be installed without the need for additional flashings.



BOARD & BATTEN VERTICAL INSTALLATION

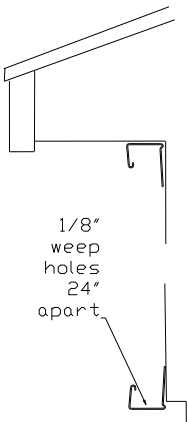
INSTALLING ACCESSORIES

Prepare the walls as you would for any siding installation making certain to properly integrate any necessary flashing, etc. This product must be installed over a solid nailable surface, or furring strips installed horizontally at a maximum of 12" on center. Follow all basic vinyl siding installation guidelines.



SOLID CORE™ Outside and Inside Corner Posts

Leave a 1/4" gap between the top of the post and the eave or soffit. Position a nail at the top of the uppermost nail slot on both sides of the post, leaving a 1/32" between the nail heads and the post. Place all other nails in the center of the slots at 8" to 12" intervals. Make certain the post is straight and plumb.



Top and Bottom Receivers

Install J channel receivers at the top and bottom. Remember to drill 1/8" diameter weep holes in the bottom receiver no more than 24" apart.

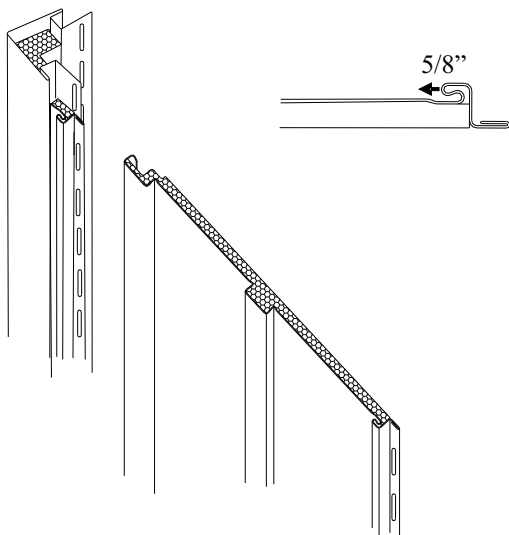
Fasten channels every 8" to 12" in the center of the nail slots. All vinyl should be fastened securely but not tightly. Leave 1/4" gaps at corner posts, etc.

Where lengths adjoin, trim the nailing flange 1" and overlap 1/2".

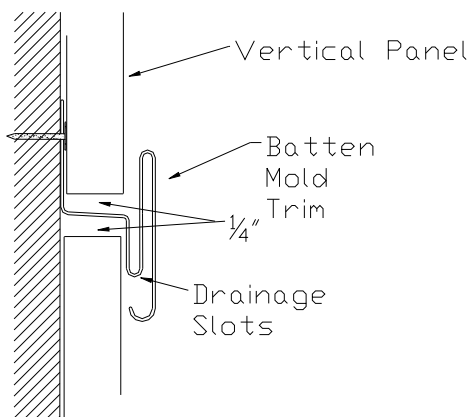
J Channel around Windows and Doors

Install 1-1/8" J channel as you would other vinyl J channels nailing every 8" to 12". Make sure you create water diversion tabs on both ends of the top channels.

BOARD & BATTEN INSTALLATION, *continued*

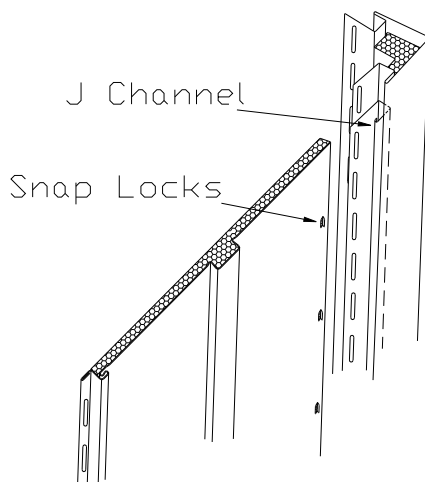


Create a starter strip by measuring a minimum of 5/8" from the lock of a panel, removing the lock and installing it in the pocket of the corner post as shown. This will allow enough space for the first full panel to be engaged into the starter. Save the remainder of the starter piece to possibly finish off at the other end of the wall. A SOLID CORE SIDING® starter strip may also be used. If so, make sure to leave enough room in the pocket of the corner post to engage the first panel.



Install panels leaving 1/4" gap in the top receiver and 3/8" gap in the bottom receiver. To do this, hang each panel by placing the first fastener in the top of an upper nail slot and the remainder of the fasteners in the center of nail slots at a maximum of 12" on center. Be sure to leave a 1/32" gap between the nail head and the panel to allow for expansion and contraction.

If more than one course of vertical siding is required to cover the height of the home, or transitioning from one siding product to another, install batten mold over the top of the first course as shown. Strike a chalk line 2-1/4" above the top of the first course of siding. Position the top edge of the batten mold along the chalk line and fasten every 8" to 12".



When installing around windows or doors, use a snap lock tool to secure the cut edge of the panel into the J channel. Depending upon where the cut falls on the panel, it may be necessary to install a piece of universal J channel inside the 1-1/8" channel. The cut edge of the panel should be snug in the channel to be secure. Installation of a shim may be needed. Similarly, when installing the final piece of siding, secure the panel into a piece of J channel using a snap lock tool as shown.

3 PIECE ARCHITECTURAL CORNER POST

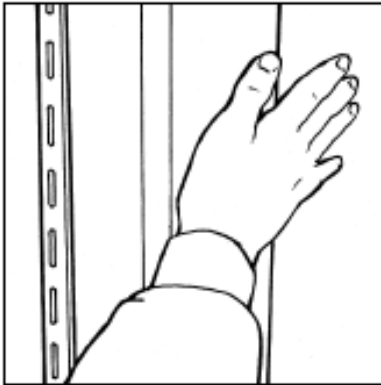


Figure 1

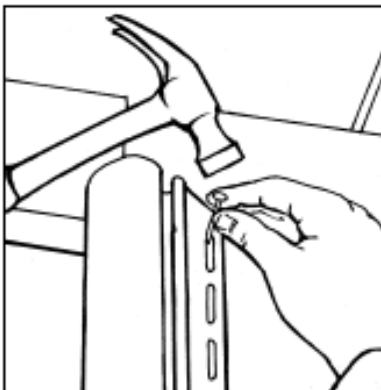


Figure 2

- 1) Place the Corner Connector in position, allowing a $\frac{1}{4}$ " gap between the top of the connector and the eave or soffit. Position a nail at the top of the upper slot on both sides of the connector, leaving a $\frac{1}{32}$ " gap between the nail heads and the connector. The connector hangs from these nails. The remainder of the nails should be in the center of the nail slots at 10" to 12" intervals. The Corner Connector should extend $\frac{3}{4}$ " below the siding starter strip. It is important that the connector is plumb (i.e. vertically straight). (Figure 1)
- 2) Install 3 $\frac{1}{2}$ " or 5" lineal into the connector by starting at the top or the bottom and pushing the locking leg of the lineal into the channel of the corner connector. The lineal must also be $\frac{1}{4}$ " from the eave or soffit. Nail the lineals in the same manner as the connector (Figure 2). Repeat on other side. *Be sure not to nail tight. Hang the lineals and nail loosely.*

WINDOW LINEAL INSTALLATION

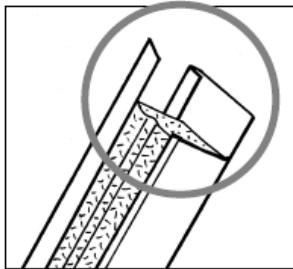
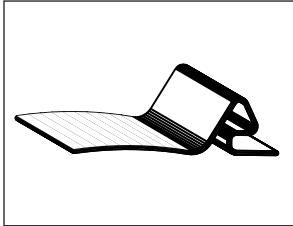


Figure 1

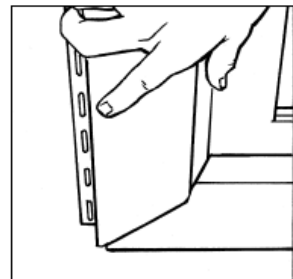


Figure 2

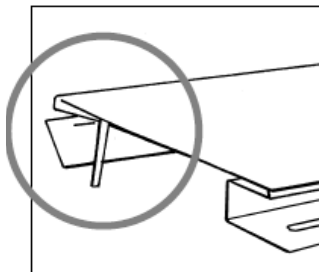


Figure 3

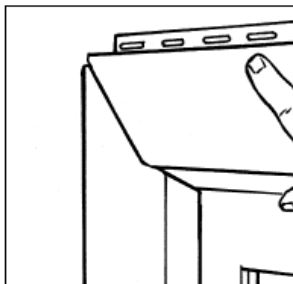


Figure 4

LINEAL STARTER STRIP

1. Measure the width and height of the window. Subtract 1/8" from the measurements. Cut and install lineal starter strip, nailing loosely every 8" to 12".

BOTTOM LINEAL

1. Measure the width of the window. Add 7" for 3 1/2" lineals and 10" for 5" lineals.
2. Measure and cut a 7/8" notch off the window J receiver on both ends of the lineal. Cut the same 7/8" notch out of the J pocket of the lineal, again on both ends. Cut back the foam to these notches. (figure 1,)
3. Snap lineal onto bottom of window and tack temporarily into place.

SIDE LINEALS

1. Measure the height of the window and, as with the bottom lineal, add 7" for 3 1/2" lineals and 10" for 5" lineals
2. Make the same 7/8" notches to the top of the side lineal as are shown in figure 1. Cut back the foam to the notch.
3. On the opposite end, measure back 3 1/2" on the inside or window side and make a mark. Using snips, cut a 45° angle from the outside corner to your mark. (figure 2.)
4. Make a 7/8" notch in the J pocket.
5. Cut back the foam to the inside of the angle.
6. Install the side lineal working the angle over the bottom lineal.
7. Nail loosely, every 8" TO 12"
8. Repeat for other side.

TOP LINEAL

1. Using the width measurement, add the appropriate amount and cut to length.
2. Measure back 3 1/2" on the window side and make a mark. Using snips, cut a 45° angle from the outside corner to the mark.
3. Cut a 3/4" notch inside the pocket, as you would with j channel, to form a rain tab and bend it down. Repeat this process on the other end. Cut the foam back to the insides of the angles. (figure 3.)
4. Install the top lineal placing the angles over the side lineals. Nail loosely every 8" TO 12". (figure 4.)

Finish by nailing bottom lineal loosely, every 8" TO 12".

WINDOW LINEAL INSTALLATION WITH SILL LINEAL

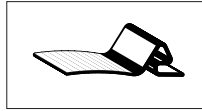


Figure 1

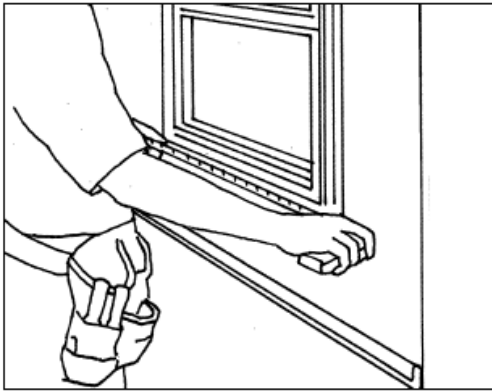


Figure 2

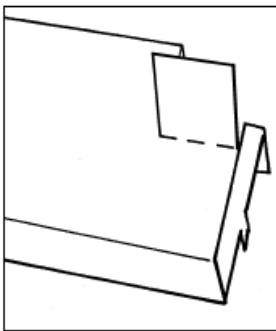


Figure 3

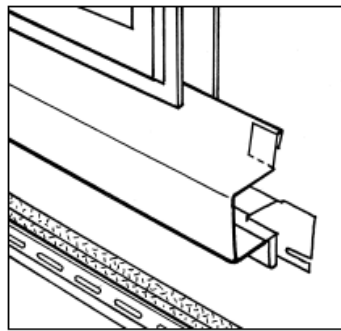


Figure 4

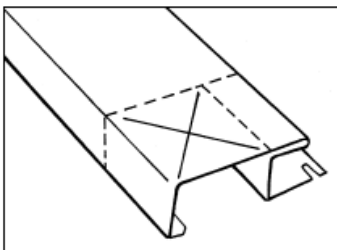


Figure 5

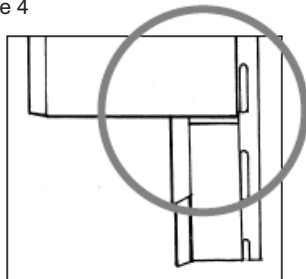


Figure 6

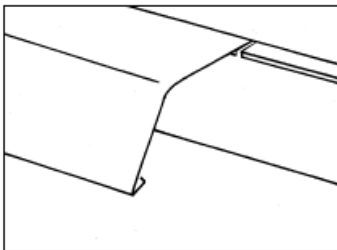


Figure 7

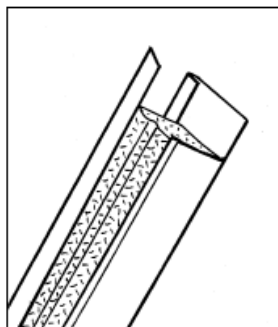


Figure 8

LINEAL STARTER STRIP

1. Measure the width and height of the window. Subtract $1/8$ " from the measurements. Cut and install lineal starter strip, nailing loosely every 8" to 12". (Figure 1)

SILL LINEAL

- 1) Using the width measurement of the window, and add 7" for $3\frac{1}{2}$ " lineals or 10" for 5" lineals. (Figure 2)
- 2) Cut *Sill Lineal* to appropriate length.
- 3) On the top of the *Sill Lineal*, measure $7/8$ " from the end and $1\frac{1}{4}$ " back from the starter side leg. Make a cut at the $7/8$ " mark back to the $1\frac{1}{4}$ " mark. Remove the locking leg and bend the remaining flap upward. (Figure 3)
- 4) On the bottom or nail hem area of the *Sill Lineal*, create a $7/8$ " notch in the "pocket" as you would a J channel piece.
- 5) Repeat this process on the opposite end of the *Sill Lineal*.
- 6) Snap Sill into place and nail every 8" to 12". Remember not to nail tightly, allowing for expansion and contraction movement of the piece.(Figure 4)

SIDE LINEALS

- 1) Using window height measurement, add $6\frac{1}{8}$ " for $3\frac{1}{2}$ " lineals or $7\frac{5}{8}$ " for 5" lineals. Cut product to appropriate length.
- 2) Measure $2\frac{5}{8}$ " from what will be the bottom and $2\frac{5}{8}$ " from the side that will engage into the starter (locking leg). (Figure 5)
- 3) Cut and remove this area. Continue the crosscut to the edge of the lineal. widen this cut to make a slit about $1/16$ " wide.(Figure 6)
- 4) Angle cut the inside or starter side leg of the lineal slightly (about $1/4$ "). Trim foam back accordingly. (Figure 7)
- 5) Cut a $7/8$ " notch out of the siding receiving pocket.
- 6) On the top, cut a 1" notch off the inside or starter side leg and an equal $7/8$ " notch out of the inside of the receiving pocket of the lineal. Trim foam down to the notches. (Figure 8)

WINDOW LINEAL INSTALLATION WITH SILL LINEAL, *continued*

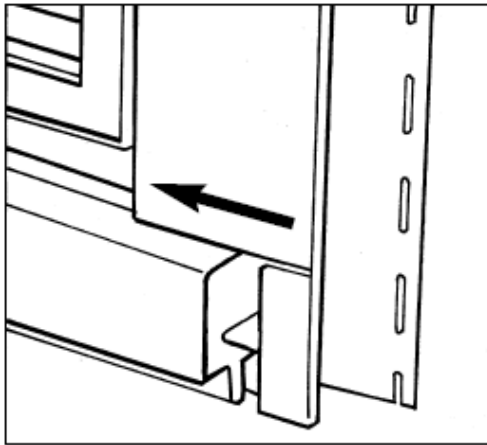


Figure 8

- 7) Install the side lineal sliding the face of the lineal into the receiving slot of the Sill lineal. (Figures 9 & 10)

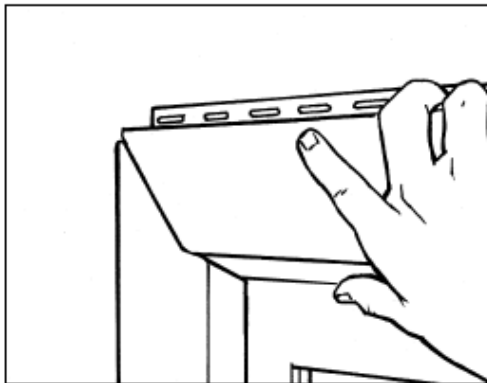
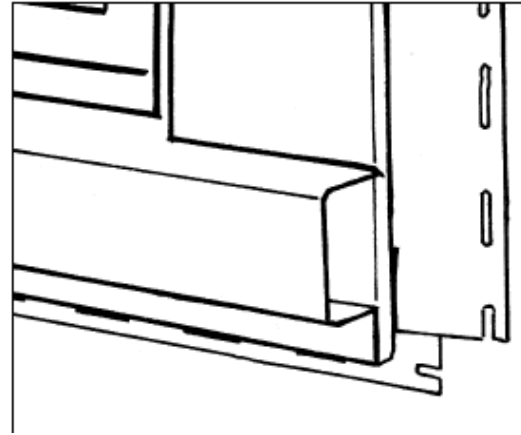


Figure 10

TOP LINEAL

- 1) Measure and cut the lineal. For 3 1/2" lineals add 7" to your window width measurement. For 5" lineals add 10"
- 2) Miter each end of the lineal at a 45 angle.
- 3) Notch the channel 3/4" to form a rain tab and bend it down (do this on both ends).
- 4) Cut back the foam to the insides of the angles.
- 5) Install the lineal, sliding down over the side lineals and nailing loosely every 8" to 12". (Figure 11)

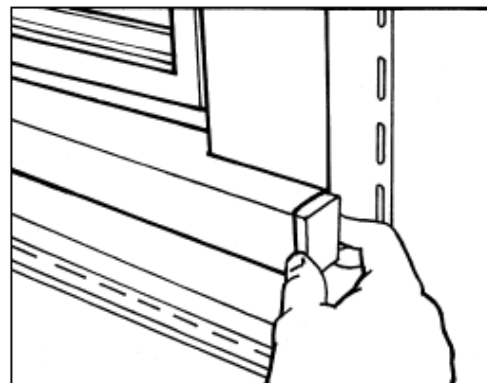


Figure 11

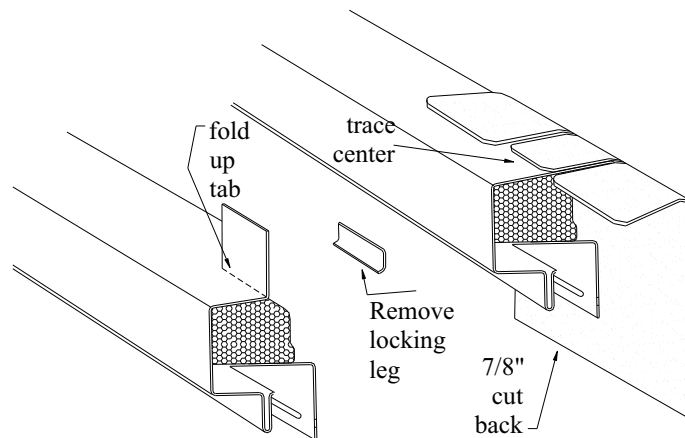
SILL LINEAL END CAPS

- 1) Use PVC cement to secure the *Sill Lineal Cap* into each end. (Figure 12)

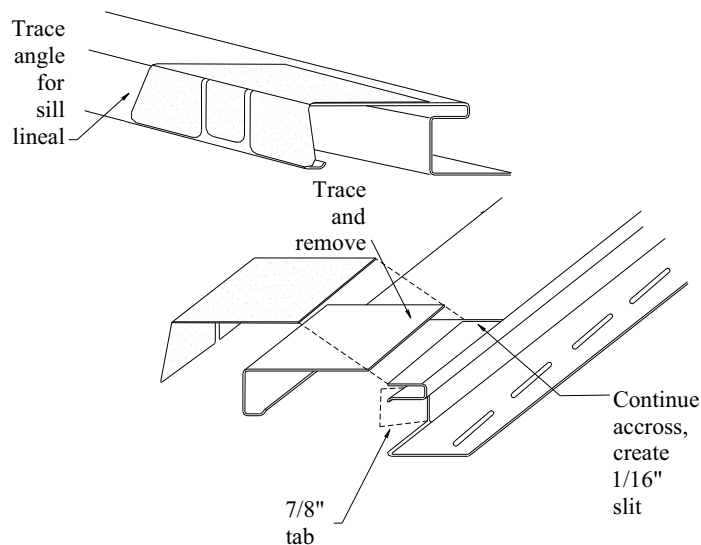
USING THE SILL LINEAL TEMPLATE

The Architectural Essentials Template is designed to be used when trimming windows incorporating the sill lineal and it is necessary to fabricate the bottom face of the side lineals and the top face of the sill lineals. The template will help make the installation quicker, without the use of a tape measure.

1. Place the center tongue of the template on the locking leg side of the sill lineal as shown below, aligning one side up with the end of the lineal.
2. Trace along the center tongue and make a cut along one side only leaving a tab as shown below. Remove the locking leg on the tab.
3. Make appropriate notches in the nocket of the lineal.



4. Place the template on the side lineal as shown below, with the edge of the template along the bottom edge of the lineal.
5. Trace both the angled side of the template and the face of the lineal. Remove this area of the lineal as shown below.
6. Continue the cut along the face of the lineal and widen the cut to approx. $\frac{1}{16}$ ".
7. Make the appropriate notches on the lineal, both on the bottom end as well as the top end (see standard installation instructions). Note: The tab is recommended for a more water resistant application.



WINDOW CROWN MOLDING INSTALLATION

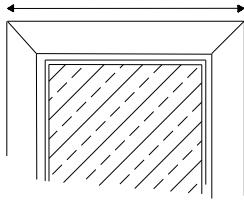


Figure 1

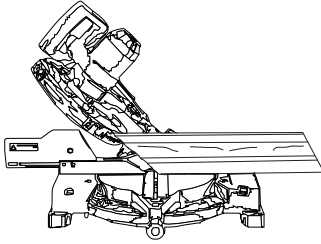


Figure 2

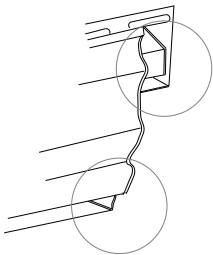


Figure 3

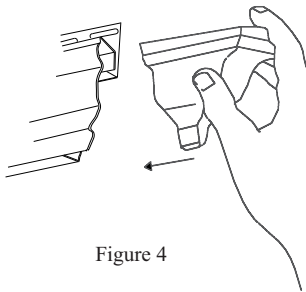


Figure 4

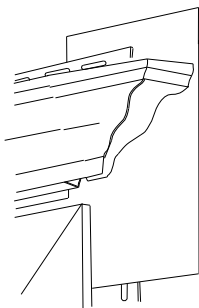


Figure 5

1. Measure the overall width of the window from outside of lineal to outside of lineal and add 3 1/2". (Figure 1) Then cut the crown lineal to length.
2. Miter cut the ends of the lineal.
 - Option 1. Compound Miter Saw**
 - Lay the crown molding flat, face up on the table.
 - Set the saw to a 45° bevel and make the cut.(Figure 2)
 - Turn the lineal and repeat on other end.
 - Option 2. Tin Snips**
 - place the crown molding end cap in the end of the molding.
 - Trace the profile of the end cap on the back of the crown molding.
 - Cut along the line to create the 45° angle.
 - Trim foam to the angle.
 - Repeat on other end.
3. Trim back the vinyl 7/8" in at the bottom of the lineal and equal the notch in the top pocket. This will make room for the siding to be installed later. (Figure 3)
4. Glue the end cap into the crown molding using PVC Cement.(Figure 4)

Helpful hint: Pull foam away slightly to insert the cap, then fit foam back into the cap to help hold cap in place.
5. Place the Window Crown Molding into the receiving pocket above the window.
6. Place flashing from under the crown molding into the pocket of the side lineal to divert moisture. (Figure 5)
7. Fasten the crown molding placing fasteners through the center of the nailing slots every 8" to 12".

INTEGRAL LINEAL INSTALLATION

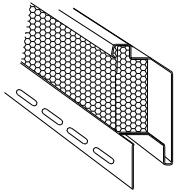


Figure 1

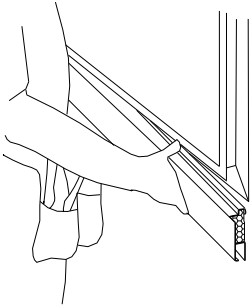


Figure 2

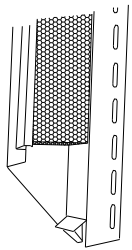


Figure 3

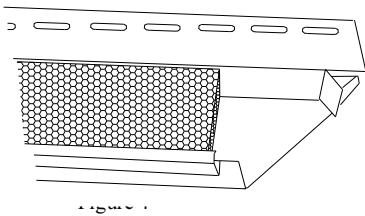


Figure 4

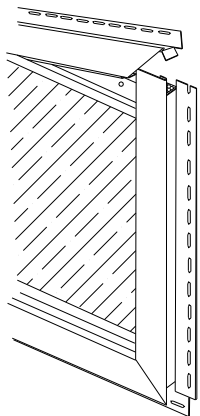


Figure 5

BOTTOM LINEAL

1. Measure the width of the window and add 7". Transfer this measurement to the lineal and cut to length.
2. On both ends of the lineal, cut 7/8" notches out of the J pocket and the insert leg. Cut back the foam to these notches. (Figure 1)
3. Insert the lineal into the bottom integral J of the window, center and temporarily tack into place. (Figure 2)

SIDE LINEALS

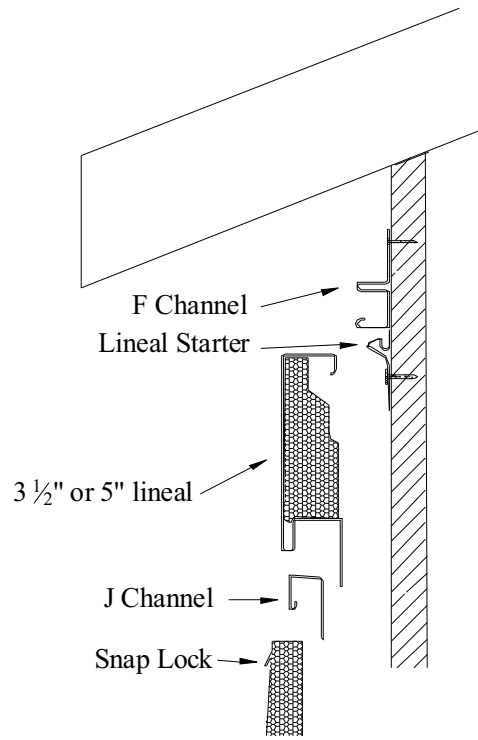
1. Measure the height of the window adding 7" and cut the lineals to length.
2. On what will be the top end of the lineal, cut 7/8" notches out of the J pockets and insert legs. Cut the foam back to these notches.
3. On the opposite ends of the lineal, measure 3 1/2" on the face from the end toward the J side and mark for a 45° angle. Cut the angle on the face being sure to leave the pocket of the lineal intact. Cut a 7/8" tab in the pocket. Measure and remove approximately 5/8" of the insert leg beyond the angle. Cut the foam back to this cut. (Figure 3)
4. Insert the side lineals into the integral J channel of the window, working the angle on the bottom face of the lineal over the bottom lineal and the tab into the J pocket of the bottom lineal.
5. Nail loosely every 8" to 12"

TOP LINEAL

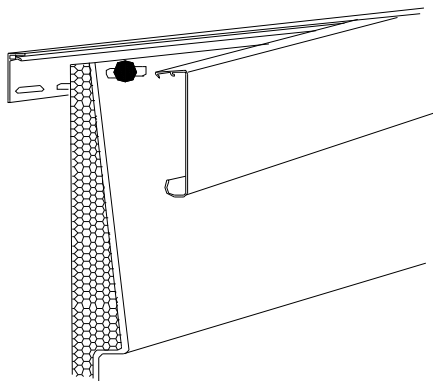
1. Add 7" to the width of the window and cut the top lineal to length.
2. On the face of the lineal, measure back 3 1/2" on both ends. Cut the face of the lineal at 45° angles on both ends. Be sure to create water diversion tabs by cutting notches in the J pocket of the lineal on both ends. (Figure 4)
3. Install the top lineal working the angles over the side lineals. Nail loosely every 8" to 12". (Figure 5)

Finish by nailing the bottom lineal loosely every 8" to 12".

FRIEZE BOARDS



Back Plate and Finish Board



REPLACING DAMAGED PANELS

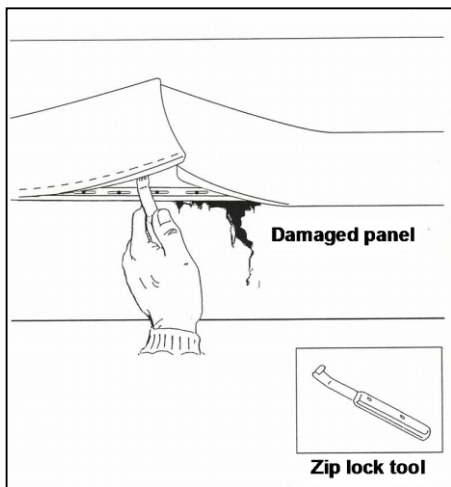


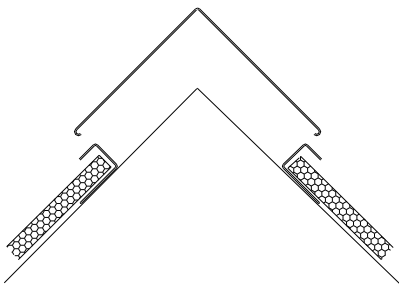
Figure 1.

- Slip the zip tool underneath the bottom lock of the panel above the one to be replaced, engaging the hook of the tool onto the lock and unzipping it. (Fig. 1)
- Remove the fasteners in the damaged panel and remove it.
- Lock in a new panel, fasten into place and zip the panels together using the zip lock tool.

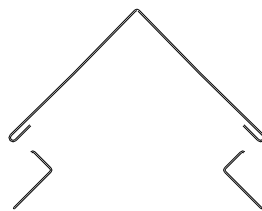
REPAIRING A DAMAGED CORNER POST

Replacing a damaged corner post is achieved by creating a snap on corner.

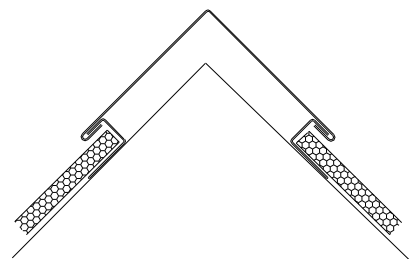
- Cut and remove existing corner face.



- Cut and remove face of new corner as shown.

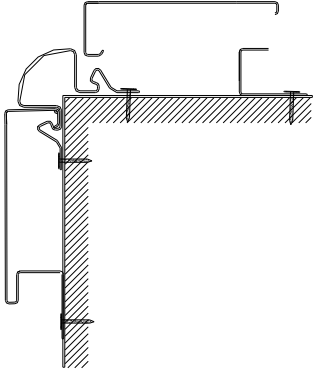


- Snap new corner over remaining channels and pop rivet at the top on both sides.

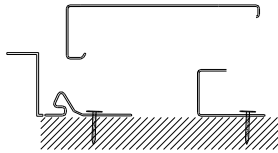


REPAIRING ARCHITECTURAL CORNER & WINDOW LINEALS

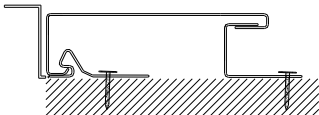
Repairing these pieces can be done without the removal of any siding panels.



- Un-zip the locking leg of the damaged lineal from the corner connector or lineal starter strip.
- Using a utility knife, from the inside, cut and remove the locking leg and the face of the damaged lineal leaving the remaining J channels.



- On the replacement lineal, remove the nail hem and adjacent side.



- Snap the replacement lineal over the channel and lock into place.